

Creative Commons Attribution-NonCommercial-ShareAlike 4.0 International Public License

A

B

C

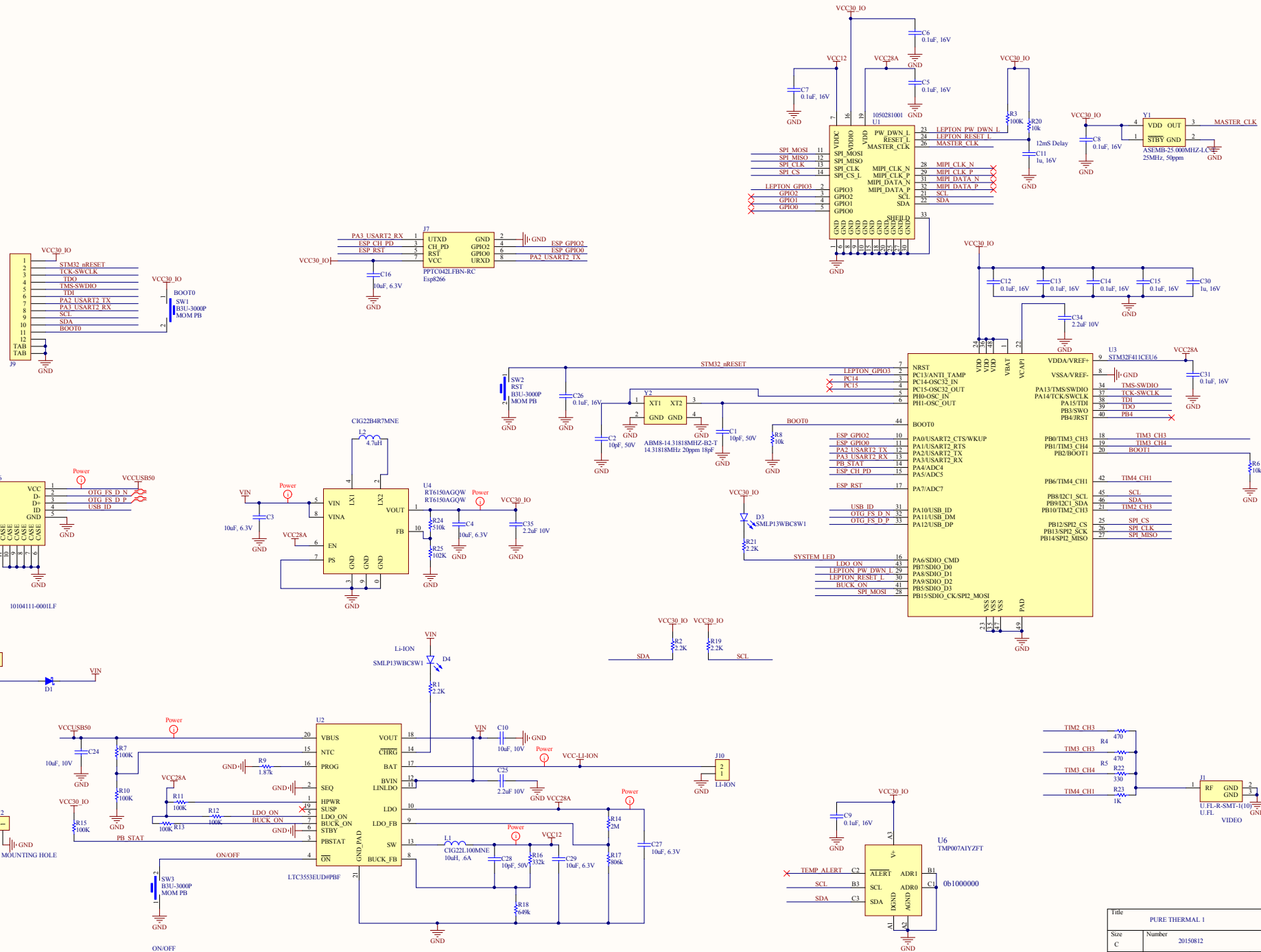
D

A

B

C

D



Title	PURE THERMAL 1	GroupGiz.com
Size	Number	Revision
C	20150812	B
Date:	12/15/2015	Sheet of
File:	G:\work\PureThermal1 SchDoc	1/1
	Drawn By:	Pure Engineering